



# SECUREIT

## Gun Safe Upgrade Kits

### Instructions

This document provides an overview of the installation please watch the installation video for detailed explanations and examples of each step.

Watch the complete installation video:



Support

[Support@secureittactical.com](mailto:Support@secureittactical.com)

800-651-8835



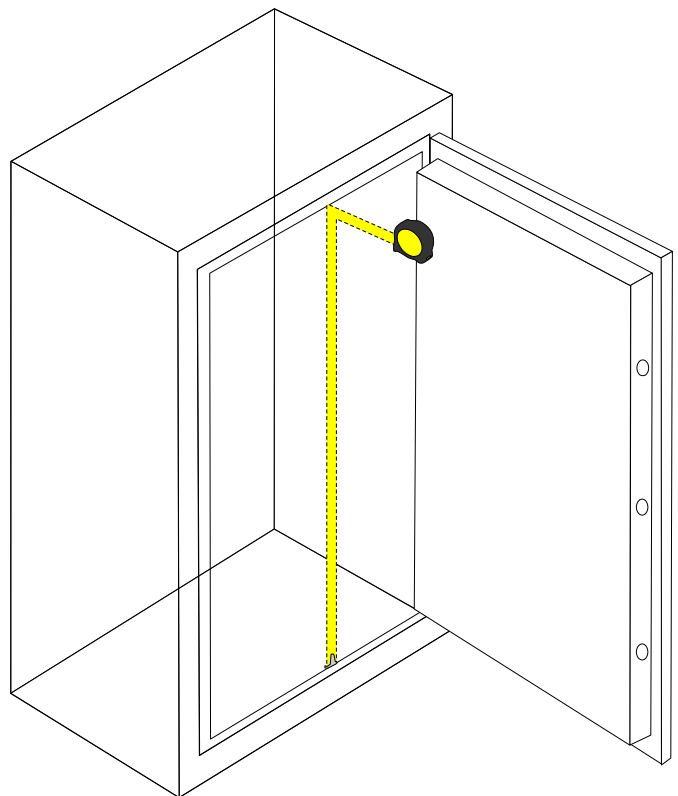
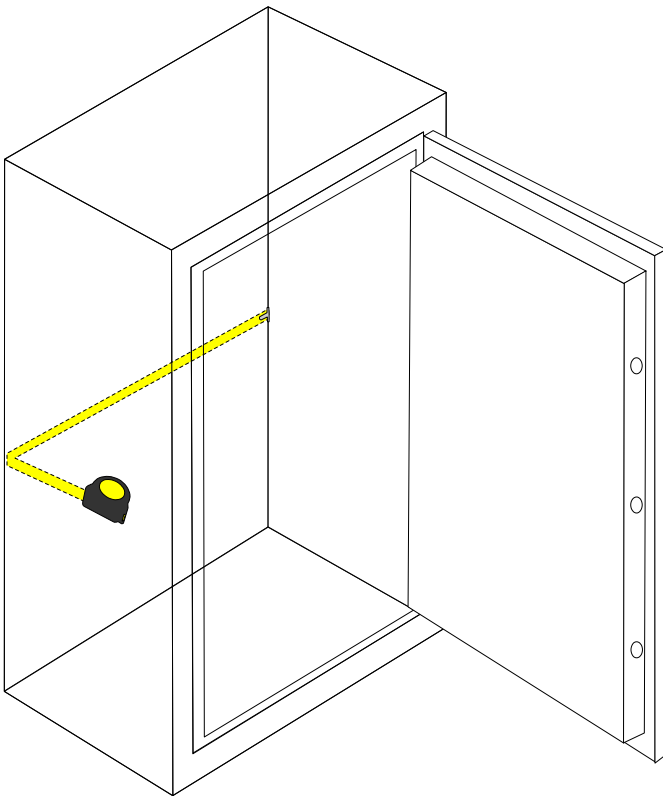
## DIY UPGRADE KIT INSTALLATION INTRUCTIONS

### STEP 1: REMOVE THE INTERIOR

- For a clean install, remove shelves and dividers. If your safe has metal shelf rails on the sides, you can leave them. This will allow you to re-use the shelves after the Cradle-Grid kit is installed.

### STEP 2: MEASURE THE INSIDE

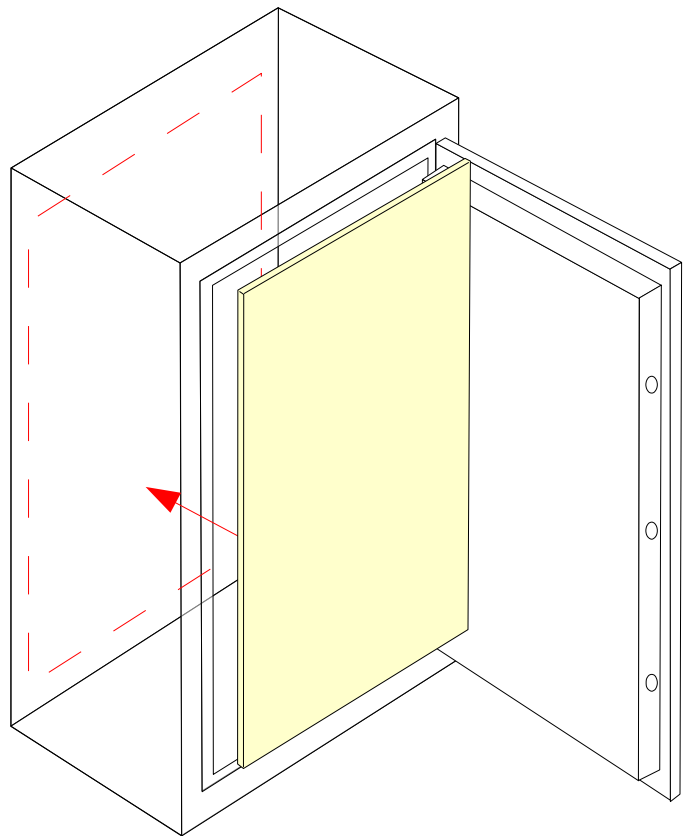
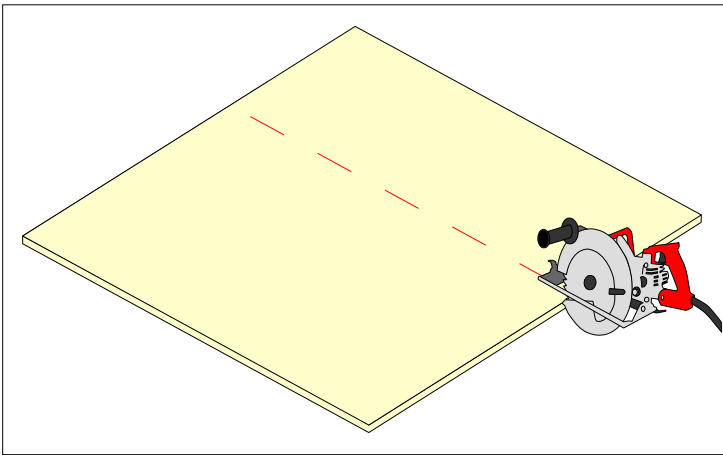
- Measure the width and height of your safe.
- For the width, measure the inside back of the safe from side to side.
- For the height, measure the door opening.





## STEP 3: CUT THE PLYWOOD

- Cut a sheet of ½" or ¾" plywood.
- Cut the width ½" less than your measurement. and the height 1/2" less that your door measurement
- Test fit to ensure proper clearance and overall fit.
- **Please note:** Most improvement centers like The Home Depot or Lowe's will cut plywood to your specs for free or a modest charge.



## STEP 4: PAINT THE PLYWOOD

- To paint the wood use flat back paint or tinted primer in black or gray.
- While painting is not required, it does make for a better looking install. The louvered panels will cover most of the plywood.
- Let the paint dry before installing the panels.

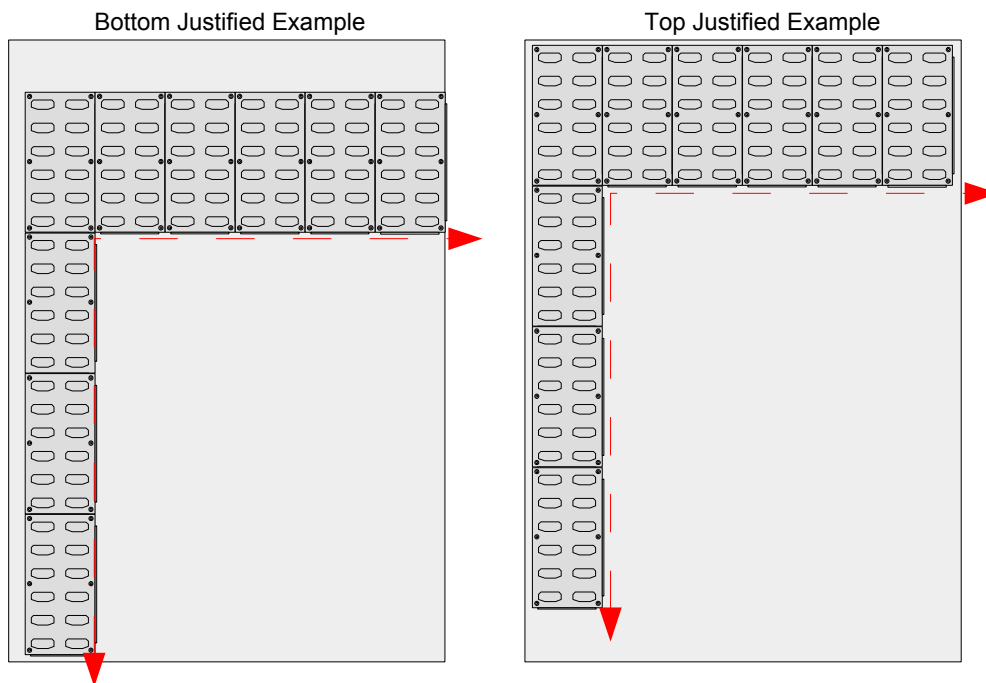


## STEP 5: LAYOUT CRADLE GRID COMPONENTS

- Grid Wall Panels
- Upper Cradles and Stock Bases
- Screw Pack
- L Brackets and dry wall anchors
- Quantities for components will vary depending on the size of the kit ordered.

## STEP 6: INSTALL PANELS

- Cradle Grid Panels will be mounted directly to the plywood with the included small screws.
- The panels have indexes that lock into each other.
- Layout your panels across the top edge of the plywood
- Run an additional row vertically along the left edge.
- Center panels to your desired configuration.
- Make sure the panels are lined up and square before moving forward.
- Once the panels are laid out go back through and adjust the spacing/centering as needed.
- Carefully screw down the panels along the edges and slowly work across until they are snug. Do not over torque to avoid stripping the screws. Start with 1 or 2 screws per panel until they are all secured, then go back finish the rest.



### 2 options for panel placement:

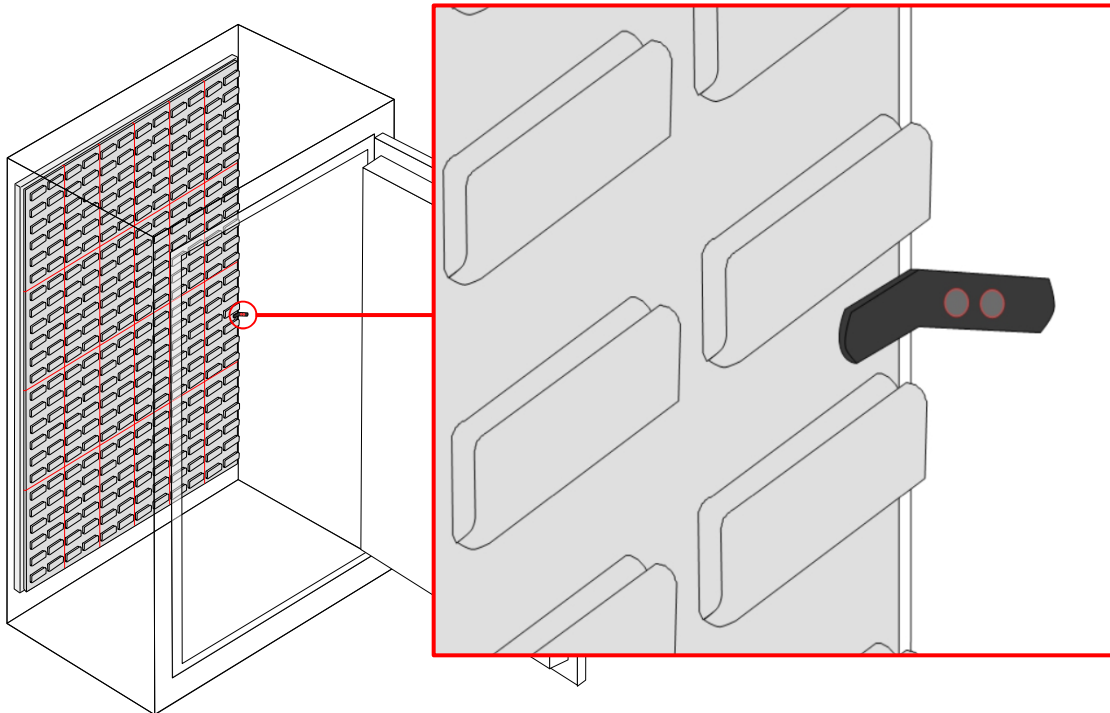
- Bottom justified gives you the ability to add storage trays and bins behind the rifle stocks at the base of the safe.
- Top justified gives you a little more flexibility at the top of the safe and makes for a cleaner look.



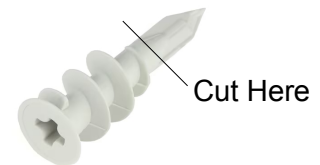
## STEP 7: INSTALLING THE L BRACKET

- To complete the installation place your panels inside of your safe.
- Place the L Brackets on the interior side walls of your safe and mark (2) points for your pilot holes.
- Make sure to space your L Brackets to where they will make contact with your panels in order to ensure proper retention.
- With a medium or small Phillips head screwdriver, make a hole in the dry wall and insert the anchors.
- Install the L Brackets to retain the panels.

*Watch the video for detailed instructions*



Due to the shallow nature of gun safe drywall we recommend trimming the pilot extension off of the anchors. Wire cutters work best.



- Once the L Brackets are secure in place and the panels are retained you can proceed with installing and arranging all of your mounts and accessories.

Watch the complete installation video:

